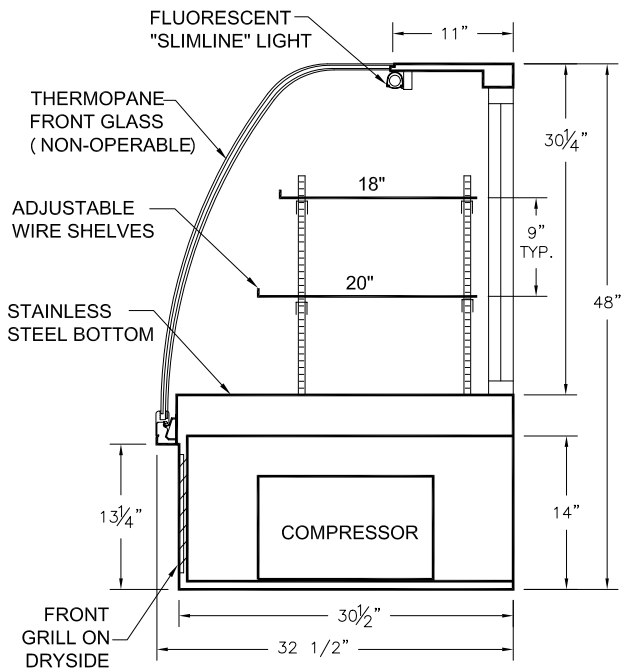
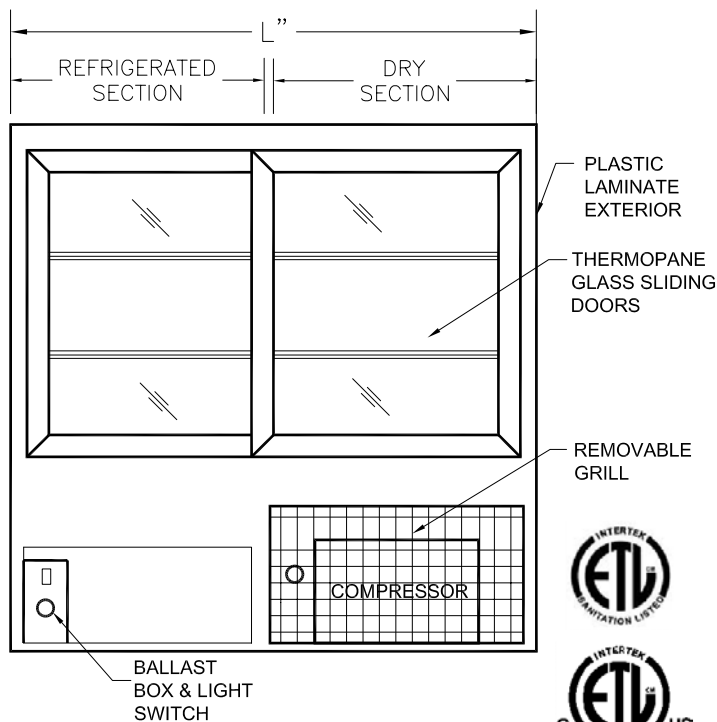


# AFD 50/50 SPLIT CASE

## DRY/REFRIGERATED FULL SERVE COMBINATION DISPLAY CASE



REF. SIDE VIEW



REAR VIEW



### Specifications

DIMENSIONS	CVC 3648FA	CVC 4848FA	CVC 6048FA	CVC 7248FA	MODEL No.	MODEL No.
Length (in)	36"	48"	60"	72"	—	—
Depth (in)	32.50"	32.50"	32.50"	32.50"	—	—
Height (in)	48"	48"	48"	48"	—	—

### Electrical

Voltage	120	120	120	120	—	—
Amperes (Compressor and Light)	9.9	9.9	10.2	10.2	—	—
Amperes (Elect. Cond. Pan needs separate circuit)	—	—	—	—	—	—
Power Cord	8 ft.	8 ft.	8 ft.	8 ft.	—	—

### Notes

- All specifications are subject to change without notice.
- Custom colors are available.
- Units are designed to operate under normal store conditions of 75°F (24°C) with 50% relative humidity and maintain the temperatures between 35°F to 40°F.
- Condensation may occur on glass in Hot/Humid conditions. AFD is not responsible for any consequential damages as a result.



**Advanced Fabrication & Design**  
**866-512-6747 p**  
**760-542-6403 f**  
**www.advanced-fabrication.com**